

HELITECH SUPPORT COLUMN

Crawl Space Floor Support System

The HSC System (Helitech Support Column) replaces conventional concrete block, brick, and wood timber posts by providing superior support to existing beams and floor joists in your crawl space. The HSC standard column length is 3 foot and then field-cut to the specific application. A heavy-duty, threaded adjustment at the top allows for the load to be securely transferred to the column.

The HSC is designed to rest on a pre-compacted aggregate footing of crushed base rock material. The compacted base material will absorb the load that is transferred from the existing support beam to the HSC bearing plate to provide a secure and stable foundation.

BENEFITS OF THE HSC

Powder coated steel construction

Large 14" x 14" x 3/8 steel bearing plate to transfer load to the bearing surface

Extremely high load capacity (supports loads over 60,000 lbs)

Immediate stabilization and lifting capabilities

Custom fit to any crawl space height

Designed to bear on compacted base material, which eliminates the need for concrete



INSTALLATION STEPS

1. Footing pad is excavated and base material is prepared and compacted.
2. High capacity support column is measured and cut to precise length.
3. Steel components of the HSC are carefully assembled and installed.
4. The HSC is installed to the underside of the load beam and secured.
5. The floor system load is transferred to the HSC and any final adjustments are made and locked down.



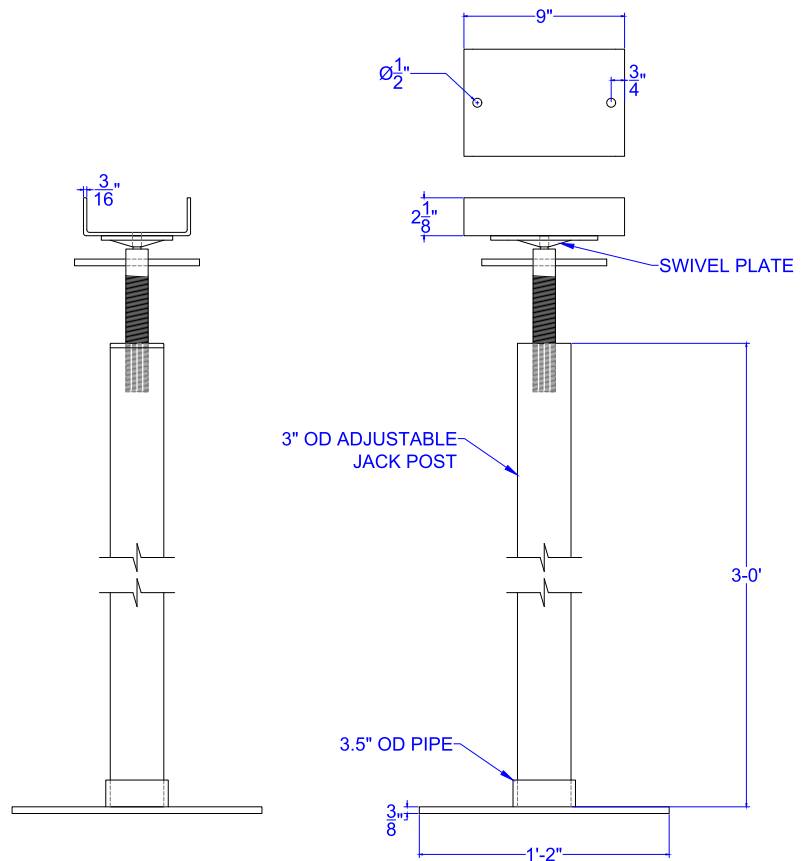
WHY CHOOSE THE HSC

Floors above crawl spaces are susceptible to problems created within the crawl space itself. High moisture content is common with damp soil which can lead to poor soil conditions and movement with traditional support columns. As the soils beneath the home become saturated, the columns can no longer provide the necessary support and then often settle.

Sagging beams and floor joists can also result from the improper spacing of existing support columns or a weakened floor system due to excessive moisture, bug damage, or wood rot. As these forces of nature occur in the crawl space, the floors above begin to noticeably sink and sag.

For the long term success of any support column system, it is important to immediately address any drainage or water issues negatively affecting the crawl space. Then, the necessary measures to reduce the impact of moisture in the crawl space must be taken. Often times, a crawl space can require a drainage system and encapsulation system to control and manage the impacts of water and high humidity.

Rest assured the Helitech Support Column System will immediately stabilize your settling and sagging beams and floor joists in your crawl space and protect against further movement.



OVER 100,000 HOMES HEALED, 5 DECADES STRONG

HELITECHONLINE.COM | 800-246-9721

Proudly serving Central, Eastern, and Southern Illinois; Central, Southeast, and Southern Missouri; Greater St. Louis; Quad Cities; Southeastern Iowa, and Western Kentucky

Serviced by our offices located at 8251 Bunkum Rd, Caseyville, IL 62232
4301 81st St Ave W, Rock Island, IL 61201; 1910 5th St, Lincoln, IL 62656
1616 Adams Dr, Marion, IL 62959; 2692 State Rd M, Kingdom City, MO 65262
625 Feise Rd, O'Fallon, MO, 63368



All products used by Helitech are proudly made in the U.S.A.